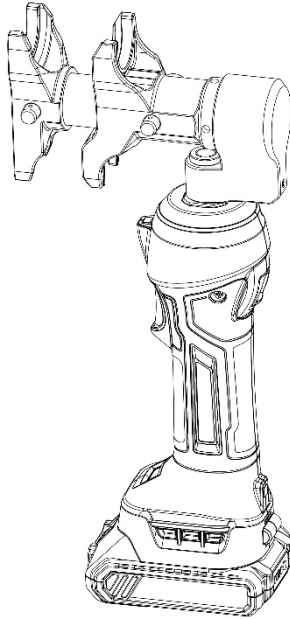


# Instruction Manual

Battery Axial Pressing Tool RCS-2623



Due to continuing improvements, actual product may differ slightly from the product described herein.



---

**Read this material before using this product.**

**Failure to do so can result in serious injury.**

**SAVE THIS MANUAL**

---

# SAVE THIS MANUAL

Keep this manual for the safety warnings and precautions, assembly, operating, inspection, maintenance and cleaning procedures. Write the month and year of purchase. Keep this manual and the receipt in a safe and dry place for future reference.

## IMPORTANT SAFETY INFORMATION

**In this manual, on the labeling, and all other information provided with this product:**



**This is the safety alert symbol. It is used to alert you to potential personal injury hazards. Obey all safety messages that follow this symbol to avoid possible injury or death.**



**CAUTION. To operate carefully, beware of injury.**

# **GENERAL SAFETY RULES**

TO WORK IN SAFE CONDITIONS WITH THIS TOOLING, IT IS IMPERATIVE TO READ CAREFULLY THE DIRECTIONS FOR USE AND TO FOLLOW THE INSTRUCTIONS IT CONTAINS. IF YOU DO NOT RESPECT THE INFORMATION WRITTEN IN THAT INSTRUCTION MANUAL THE WARRANTY WILL BE CANCELLED.

## **1. Work area safety**

- a. Keep work area clean and clear. Cluttered or dark areas invite accidents.
- b. This tool is not insulated; please do not use it on live conductor.
- c. Please do not use or store the tool under high temperature, or one surrounding filling with corrosive fluid. Pay attention to the sealing kits becoming aging.
- d. Keep children and bystander away while operating the Battery powered tool.
- e. Distractions will cause you to lose control.
- f. Do not use or charging the tool around flammable, explosive environment

## **2. Electrical safety**

- g. Make sure the plug matches with the plug seat. Never try any changes on the plug.
- h. Do not put tool, battery and charger under a rainy or humid surroundings, it is easy to trigger an electric shock accident if any water goes into the electric system of the tool.
- i. Do not use electric wire to carry, pull, or to draw out the plug and do not connect the “-” and “+”, the damaged or twined wire may cause an electric shock accident.
- j. If the charger was strongly crashed, or dropping down or any other damages happening, please do not try to repair it by yourself, send it back to the authorized service center as soon as possible. The damaged charger may cause an electric shock accident.
- k. The best temperature for charging is between 10°C-40°C. Make sure the air hole of the battery and charger are uncovered during charging.
- l. Please cut off the power of the charger each time to reduce the hazard from child or the person who not expert on the tool.
- m. Do not wait until the battery runs over for recharging, the recharging will cause the battery does not work anymore. Please keep the battery out of the tool to avoid the power discharge.
- n. Please do not burn the battery or make it being short-circuited, it may cause explosion.
- o. Do not use the waste battery otherwise it will cause the electric shock.
- p. Do not disassemble the battery and charger. If any problems please contact with manufacture or agent.

### 3. Personal safety

- q. Stay alert, watch what you are doing and use common sense when operating the tool. Do not use the tool while you are tired or still under the influence of drugs, alcohol or medication. A moment of inattention may result in series personal injury.
- r. Use safety equipment. Always use safety equipment such as mask, helmet, safety cap, insulating shoes and etc. to reduce the risk of personal injury.
- s. Dress properly. Do not wear loose clothing or jewelry. Keep your hair, clothing and gloves away from moving parts. Loose clothes jewelry or long hair can be caught in moving parts.
- t. Maintain power tools. Check for misalignment or binding of moving parts, breakage of parts and any other condition that may affect the tool operation. If damaged, have the tool repaired before use. Many accidents are caused by poorly maintained power tools.
- u. Please use the tool properly, the tool with correct power will do the job better and safer at the rate for which it was designed.
- v. Do not put your fingers into the head of the tool during operating. Your fingers could be pinched very severely.

### 4. Service

Have your Battery Axial Pressing Tool serviced by a qualified service technician using only identical replacement parts. This will ensure that the safety of the Battery Powered Connecting/expanding Tool Kit is maintained.

## **SPECIFIC SAFETY RULES**

- 1) Maintain labels and nameplates on the tool which carry important safety information. If unreadable or missing, contact the agent to replace.
- 2) This product is not a toy, keep it out of reach of children.
- 3) Do not put your fingers into the head of the tool during operating. Your fingers could be pinched very severely.
- 4) Make sure the head was locked firmly during operation.
- 5) Do not knock any parts of the tool, otherwise it will cause injury.
- 6) Do not operate at will, it will damage the MCU and electric system
- 7) The design of the limit screw on the head is for preventing the head from dropping or popping.
- 8) Make sure the head was locked firmly during operation.
- 9) Do not use this tool for continuous use. After 30 to 40 cycles, allow the tool to cool for 15 minutes.
- 10) Do not secure this tool in a vise. This tool is designed for hand-held operation.
- 11) The built-in safety valve goes through strict pressure test before marketing; please do not adjust the pressure by unprofessional person. If the pressure is not enough please return the tools back to the service center. The tool only can be reused after checking and testing by trained person.
- 12) The warnings, precautions, and instructions discussed in this instruction manual cannot cover all possible conditions and situations that may occur. It must be understood by the operator that common sense and caution are factors which cannot be built into this product, but must be supplied by the operator.

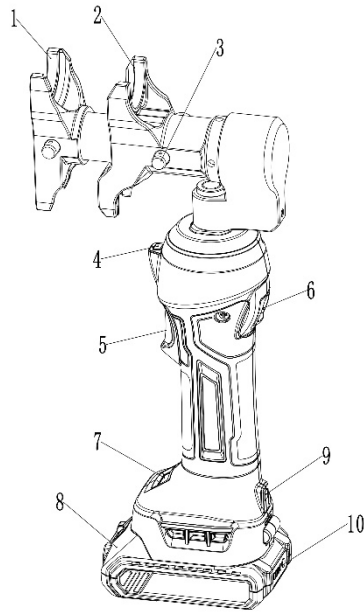
# UNDERSTAND YOUR TOOL

RCS-2623 is a tool for axial pressing pipe. It is powered by Li-ion, actuated by motor and controlled by MCU, with OLED display and a high pressure hydraulic system, it is a perfect tool to be used in plumbing and heating installations.

## 1. Specification

Rated pressure:	26kN
Rated power:	270W
Stroke:	23mm
Connecting range:	3/8",1/2",5/8",3/4",7/8",1-1/8"
Hydraulic oil:	About 35ml (suggest to add Shell Tellus S2V HV15)
Ambient temperature	-10~40°C
Voltage of battery:	DC 18V,2.0Ah
Charging voltage:	AC 100V~240V ;50~60Hz
Charging time:	Approx.40mins
Weight:	3.6kgs(with battery)
Size of tool:	379x166x76mm
Accessories:	
Battery:	2 pcs
Charger:	1 pc
Sealing ring of cylinder:	1 set
Sealing ring of safety valve:	1 set

## 2. Description of components:



Parts No.	Description	Function
1	Fixed connecting jaw	For connecting, interchangeable jaw
2	Movable connecting jaw	For connecting, interchangeable jaw
3	Movable pin	For fixing the connecting jaw seat
4	LED indicator	For illumination
5	Trigger	For starting operation
6	Retract button	For manual retracting the piston in case of an incorrect operation.
7	OLED display	For showing working cycles, power, errors info
8	Battery	For supplying power, rechargeable Li-ion(18V)
9	LED indicator	For showing tool status, warning
10	Power display	For showing the battery status

### 3. Function description



Microcomputer control system-automatically detects the pressure when in working with double safety protect.



OLED display - Dot matrix OLED display, which shows crimp times, battery power, working pressure (if equipped with pressure sensor), maintenance reminder and fault code.



Auto reset- Release the pressure automatically, retract the piston to the starting position when reached the max output.



Manual reset - Can retract the piston to the starting positioning in case of an incorrect operation.



The unit is equipped with a double piston pump which is characterized by a rapid approach of the jaw towards the pipe and a slow working motion.



The head can be smoothly turned by 360° in order to gain better access to tight corners and other difficult working areas.



If a deviation from the set operation pressure or low battery charge is identified, an acoustic signal sounds.


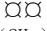
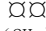

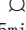

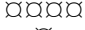



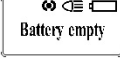

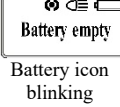
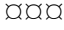

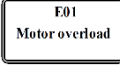




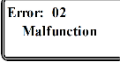
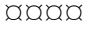

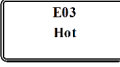



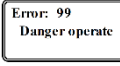






The overall structure of the tool is compact. It is ergonomically designed with a non-slip rubber grip and an optimized center of gravity for easier operation.



A temperature sensor makes the tool stop working automatically when the temperature over 70°C under long time working, the fault signal sounds, it means the toll can't continue work until the temperature reduce to the normal.

**Table 1 Signal Instruction and Meaning:**

Series No	Instruction	LED (red)	LED		OLED screen	What it means
1	Self-checking	 (2Hz)	 (2Hz) <b>(green)</b>			Self-checking to assure everything is ok
2	Light		 (5min) <b>(white)</b>			Enter the working state, the battery is full
3	Charging reminding	 		 		Lacking power and need charging.
				 (0.1s)		There's no response after 0.1s warning, Lacking power or battery loses efficacy
4	Motor overload			 (2Hz)		Motor overload, battery reloading, please contact the dealer or manufacturer if still can't work normally
5	Hydraulic system Malfunction	 		  (5s)		Tool doesn't release pressure automatically when working over 2mins, reload battery
6	High temperature warning			 (2Hz)		Motor surface temperature is too high, waiting for cooling to restart the tool
7	Dangerous operation protection	 (5s)		  (2Hz)		Auto-protection when press the start button on and off quickly, reload battery
8	Maintenance reminding	 	 <b>(Green)</b>			Red and green lights flash alternately, tool must be maintained



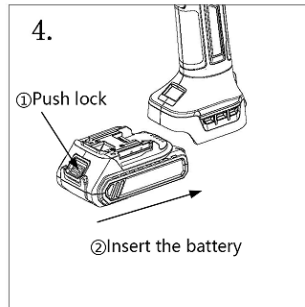
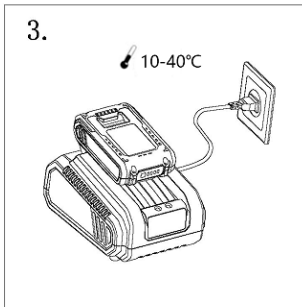
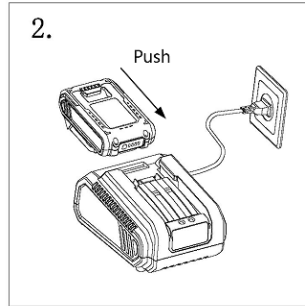
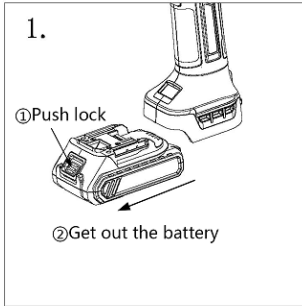
# OPERATING INSTRUCTION

Read the entire SAFETY INFORMATION section at the beginning of this manual including all text under subheadings therein before using this product.

Use this tool for the manufacturer's intended purpose only. Use other than that which is described in this manual can result in injury or property damage.

## 1. Charging

Push battery into charger and connect the plug with the plug seat. Make sure the room temperature is between 10°C-40°C. The charging time is around 40 minutes. Please see the illustration below.



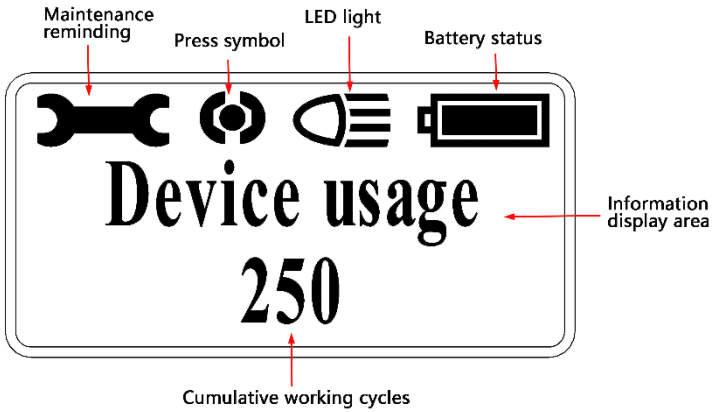
The detail of the charging information, please refer the manual (MANUAL FOR CHARGER)



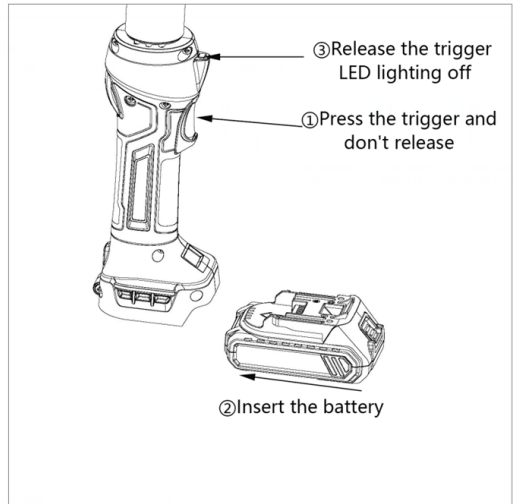
- 1) When use the factory original battery, must charge by the original charger.4.0Ah/5.0Ah battery charging current shouldn't exceed 5A.2.0Ah battery charging current shouldn't exceed 3.0Ah.The battery will be smoking, burnt, even explode if charge with a non-compliant charger.
- 2) The battery can be used for hundreds of times, when the life span reduced obviously, change to a new battery please.
- 3) Please charging the battery in time to avoid it to be used up absolutely; otherwise it will become useless forever. If the battery not be used for a long time, it will discharge automatically. Make sure to charge it one time per/each quarter.
- 4) Do not connect the two poles of the battery with a wire, which is likely to cause electric spark, combustion or even explosion.
- 5) Do not use the damaged battery or charge it, or it will increase the risk of electric shock.
- 6) Under no circumstances should batteries be burned, or they may explode.
- 7) When charging the battery, do not cover the charger with any object, so that the charger cannot dissipate heat, which is likely to cause fire.
- 8) Disconnect the charger when not in use. It will reduce the risk of injury to children and untrained personnel.
- 9) Do not use the charger in humid environment, and do not expose to rain and snow, or it will increase the risk of electric shock.
- 10) Do not disassemble the battery and charger without permission. If there is any fault in the process of use, please send it to the professional or the manufacturer for maintenance, until the problem is solved.

## 2. Usage of the tool

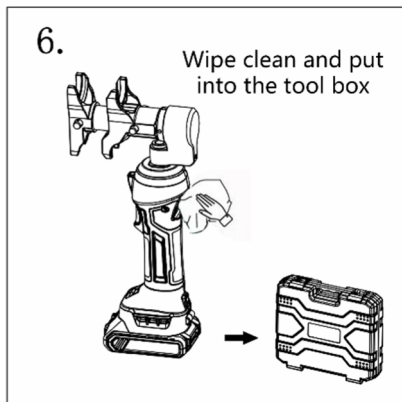
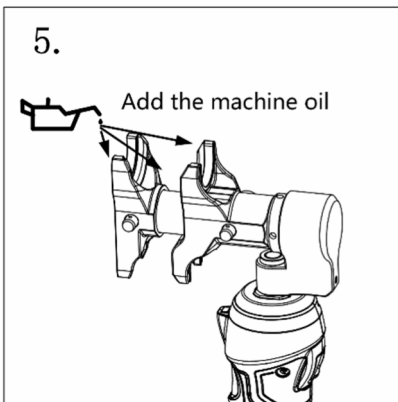
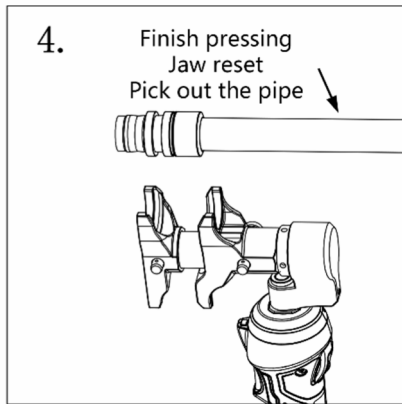
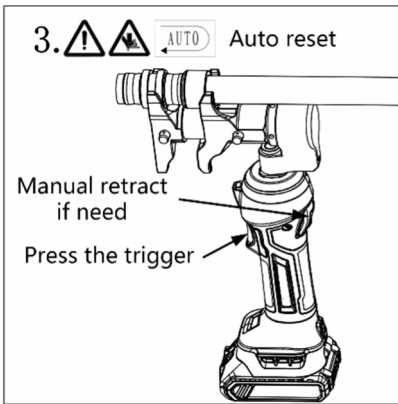
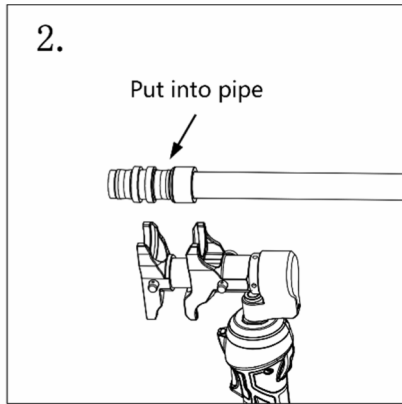
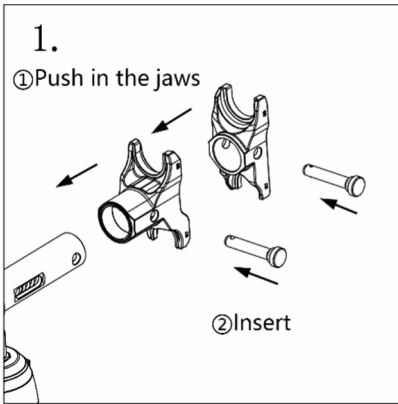
### 2.1 OLED display interface description:



Tool LED illuminator: After clicking the start button, the LED illuminator lights on, after the tool is released, the light will automatically turn off after a delay of 20 seconds. Press the start button before installing the battery. When the battery is installed, release the start button and the LED light is off. If the light is on, the battery must be reinstalled once. As shown in the figure.



## 2.2 Operation





## **Warning:**

- 1) Do not hammer or knock any part of the tool. Before operation, check the tool for any damage, aging, missing parts, misalignment or component jamming and any other unfavorable factors that endanger safety and normal operation. If you find any problems, stop using them immediately until the problem is solved.
- 2) Before start the tool, the connecting jaws must be fully inserted into the holder.
- 3) Remove the grease from the non-lubricated parts of the tool, especially the hand-held parts, to avoid the tool slipping during use.
- 4) Do not disassemble and assemble tools at will, otherwise tool damage or even personal injury may occur.
- 5) Do not put your fingers and any part of the human body into the moving parts of the jaws during use, and avoid pointing the tool head at yourself or others.
- 6) The pressure of the tool should be checked and calibrated regularly. The pressure check and calibration need to be carried out under the special pressure detection device. Do not adjust it without permission, otherwise the tool may be damaged or even personal injury may occur.

# MAINTENANCE AND SERVICING

## **⚠WARNING**

**Damaged equipment may cause serious personal injury. Do not use damaged equipment. If abnormal noise or vibration occurs, have the problem corrected before further using.**

1. Please note that routine maintenance and inspections can extend the life of your tools.  
**Before each using**, inspect the general condition of the tool. Check for loose screws, misalignment or binding of moving parts, cracked or broken parts, or any other condition that may affect its safe operation.  
**After using**, clean external surfaces of the tool with clean, moist, smear the rust preventing oil on the metal surface of the tool and the dies to avoid rusty. Store the tool in the dry environment.
2. Service to the tool should only be done by a qualified Service Technician.
3. Keep the tool and spare parts dry. If the tool is wet, take out the battery, and wait until the tool is completely dry before reloading the battery.
4. Do not put the tool in too hot or cold place. Otherwise the spare parts will be damaged.
5. Do not use aggressive chemical cleaners or strong detergents to clean tools.
6. The warranty of tool is 2year or 20,000cycles. In order to prolong the life of the tool please maintain every one year or 10,000cycles.
7. If the tool not used for a long time, please make sure the piston stays on its starting position, clear up the tool and paint the rustproof oil both to the tool and accessories. Take out the battery and put them into box and store the tool in a dry surrounding.
8. After a long time using, the sealing kits will be damaged, if there is leakage please contact with the manufacturer and/or the distributor to change the sealing kits.

## **LIMITED 2 YEARS WARRANTY**

We make every effort to assure that its products meet high quality and durability standards, and warrants to the original purchaser that this product is free from defects in materials and workmanship for the period of two years from the date of shipment (90 days if used by a professional contractor or if used as rental equipment). This warranty does not apply to damage due directly or indirectly, to misuse, abuse, negligence or accidents, repairs or alterations outside our facilities, normal wear and tear, or to lack of maintenance. We shall in no event be liable for death, injuries to persons or property, or for incidental, contingent, special or consequential damages arising from the use of our product. Some states do not allow the exclusion or limitation of incidental or consequential damages, so the above limitation of exclusion may not apply to you. THIS WARRANTY IS EXPRESSLY IN LIEU OF ALL OTHER WARRANTIES, EXPRESS OR IMPLIED, INCLUDING THE WARRANTIES OF MERCHANTABILITY AND FITNESS.

To take advantage of this warranty, the product or part must be returned to us with transportation charges prepaid. Proof of purchase date and an explanation of the complaint must accompany the merchandise. If our inspection verifies the defect, we will either repair or replace the product at our election or we may elect to refund the purchase price if we cannot readily and quickly provide you with a replacement. We will return repaired products at our expense, but if we determine there is no defect, or that the defect resulted from causes not within the scope of our warranty, then you must bear the cost of returning the product.

The warranty gives you specific legal rights and you may also have other rights which vary from state to state.